

EUROCAVE®
INSPIRATION S
 SINGLE ZONE WINE CELLAR



FULL GLASS DOOR



STAINLESS STEEL

BENEFITS

- Combining stylishness with ease of use, the Inspiration range will fit perfectly into your kitchen
- Grill-free invisible vents allow for seamless integration unlike any other wine cellar
- Inspiration offers you the choice between different shelf configurations, door types and compartment sizes. In addition, each model can be built-in or integrable
- 2 shelf facing colors: light wood or glossy black

DOOR TRIM	HINGE	SHELF TRIM	MODEL
Full Glass Door	Right Hinge	Black Trim Shelves	286 08 01 5X
Full Glass Door	Left Hinge	Black Trim Shelves	286 08 01 6X
Full Glass Door	Right Hinge	Natural Oak Trim Shelves	286 08 02 5X
Full Glass Door	Left Hinge	Natural Oak Trim Shelves	286 08 02 6X
Stainless Steel	Right Hinge	Black Trim Shelves	286 08 01 9X
Stainless Steel	Left Hinge	Black Trim Shelves	286 08 01 10X
Stainless Steel	Right Hinge	Natural Oak Trim Shelves	286 08 02 9X
Stainless Steel	Left Hinge	Natural Oak Trim Shelves	286 08 02 10X
Panel Ready – Glass	Right Hinge	Black Trim Shelves	286 08 01 3X
Panel Ready – Glass	Left Hinge	Black Trim Shelves	286 08 01 4X
Panel Ready – Glass	Right Hinge	Natural Oak Trim Shelves	286 08 02 3X
Panel Ready – Glass	Left Hinge	Natural Oak Trim Shelves	286 08 02 4X
Panel Ready – Solid	Right Hinge	Black Trim Shelves	286 08 01 1X
Panel Ready – Solid	Left Hinge	Black Trim Shelves	286 08 01 2X
Panel Ready – Solid	Right Hinge	Natural Oak Trim Shelves	286 08 02 1X
Panel Ready – Solid	Left Hinge	Natural Oak Trim Shelves	286 08 02 2X

ACCESSORIES	MODEL
Charcoal Filters	249 47 41

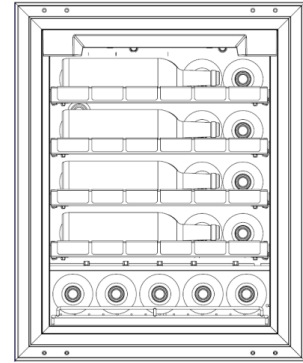
EUROCAVE[®]
INSPIRATION S
 SINGLE ZONE WINE CELLAR



PANEL READY – GLASS



PANEL READY – SOLID



PREMIUM PACK STORAGE LAYOUT

FEATURES

SHELVING	Rolling
INTERIOR LIGHTING	Atmospheric LED
CONTROLS	Capacitive Touch
TEMPERATURE DISPLAY	Amber LED
GLASS DOOR	UV Tinted, Dual Pane
REVERSIBLE DOOR	Yes
SECURITY LOCK	Yes
WARRANTY	1-Year Parts & Labor 5-Years Sealed System
CHARCOAL FILTER	Yes
LEVELING LEGS	4

ELECTRICAL

ELECTRICAL REQUIREMENTS	110V-120V / 60HZ
RATED POWER INPUT	80 Watts
RATED CURRENT	1.5 Amps
REFRIGERANT	R600A, 20g
ENERGY CONSUMPTION	Solid Door: 219 kwh/year Glass Door: 256 kwh/year
ELECTRICAL REQUIREMENTS	Plugs directly into US 110 Volt outlet on a dedicated 15 Amp line
BREAKER SIZE	15 Amp Line
DECIBEL RATING	38 dB(A)

DIMENSIONS & WEIGHT

WINE CELLAR DIMENSIONS	32"H x 22"-23½"W x 23½"D*
MINIMUM DIMENSIONS OF BUILT-IN AREA	32¼"-35"H x 24"W x 22"-24"D
GROSS SHIPPING WEIGHT	Approximately 185 lbs.
NET WEIGHT	Approximately 156 lbs.

*Handle adds 2" to depth.

GENERAL INFORMATION

BOTTLE CAPACITY*	Maximum 29 Bottles
USABLE VOLUME	3.5 Cu. Ft.
INSTALLATION TYPE	Built-In / Flush Fitted
VENTING	Front
TEMPERATURE ZONES	1
TEMPERATURE RANGE	41°F – 68°F
DOOR STYLES	Full Glass, Stainless Steel and Panel Ready
HANDLE	Integrated Grip
STORAGE RACKS – QUANTITY	5
STORAGE RACKS – TYPE	4 Rolling Shelves + 1 Grid
STORAGE RACKS – FRONT TRIM	Natural Oak or Black
SUGGESTED AMBIENT TEMPERATURE (F)	54°F – 95°F

*Maximum bottle capacity may vary depending on bottle size and shelf configuration.

Multiple Unit Note: If there is more than one cellar on a line, a 20 Amp circuit is required

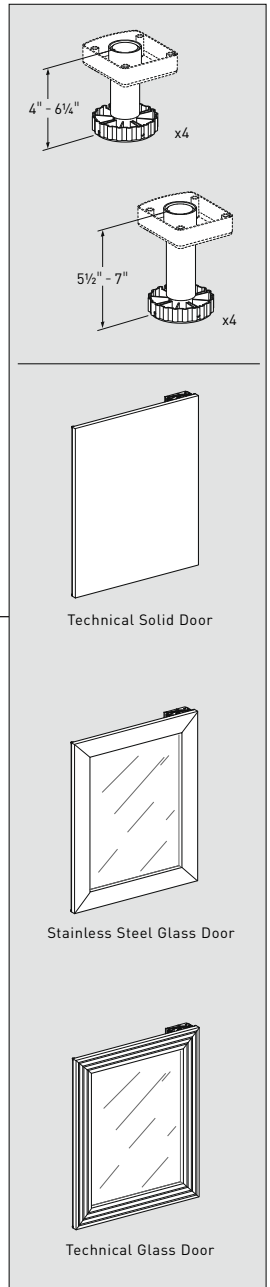
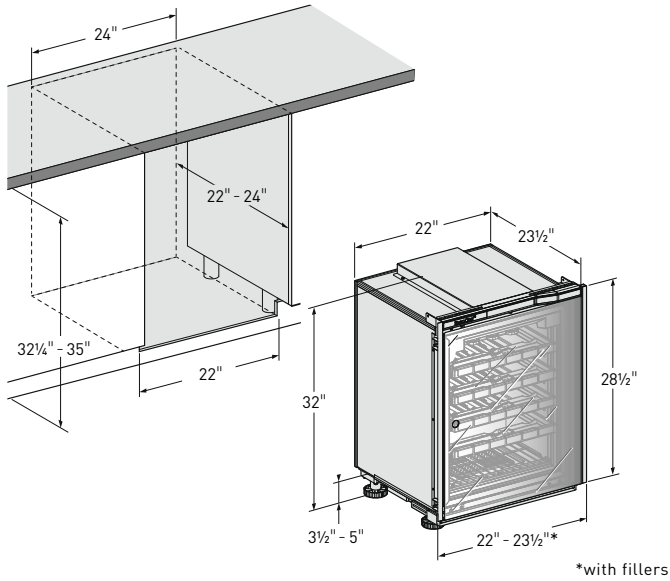
EUROCAVE®
INSPIRATION S
 SINGLE ZONE WINE CELLAR

EUROCAVE INSPIRATION S · WINE CABINET INSTALLATIONS AND FLUSH FITTING DIAGRAMS

BUILT-IN VERSION

INSTALLATION AS A BUILT-IN CELLAR

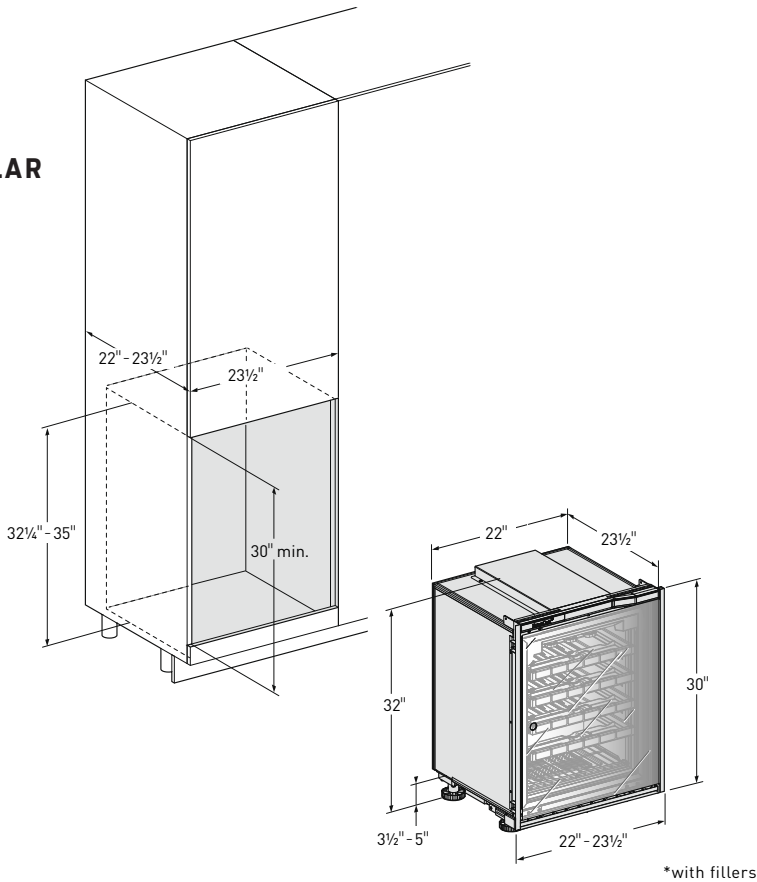
These cut out dimensions show the minimum space required for your wine cellar to perform as designed.



FLUSH-FITTED VERSION

INSTALLATION AS A FLUSH-FITTING CELLAR

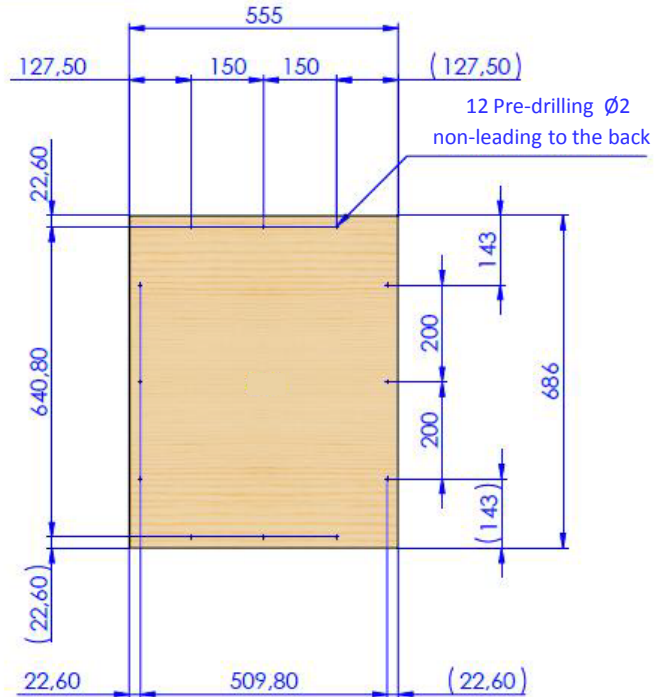
These cut out dimensions show the minimum space required for your wine cellar to perform as designed.



EUROCAVE[®]
INSPIRATION S
SINGLE ZONE WINE CELLAR

EUROCAVE INSPIRATION S • DECORATIVE PANEL BLUEPRINTS

**SOLID DOOR
VERSION**



**GLASS DOOR
VERSION**

